

Aluminum Capacitors

MECHANICAL DATA

CLAMPS FOR SERIES EY AND EYK:

To facilitate vertical mounting, a series of rigid clamps made of zinc plated steel are available.

The clamps have either two or three mounting lugs, may be easily slipped over the capacitor and then clamped with a nut and bolt. Four types of clamps are available, one for each case diameter.

They are delivered without nuts or bolts.

To avoid damaging the insulation sleeve, do not overtighten the clamp screw.

DIMENSIONS in millimeters AND AVAILABLE FORMS

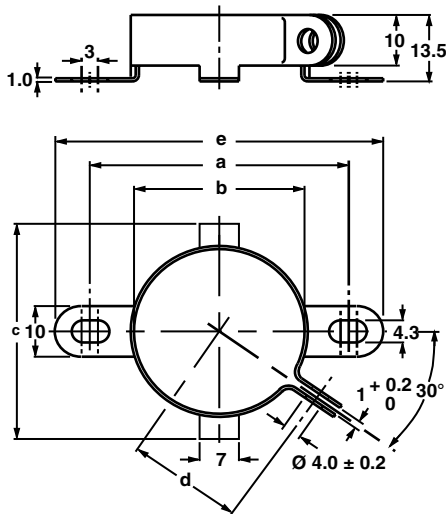


Fig. 1 Dimensional outline of clamp for case $\varnothing D = 25$ mm, 30 and 40 mm

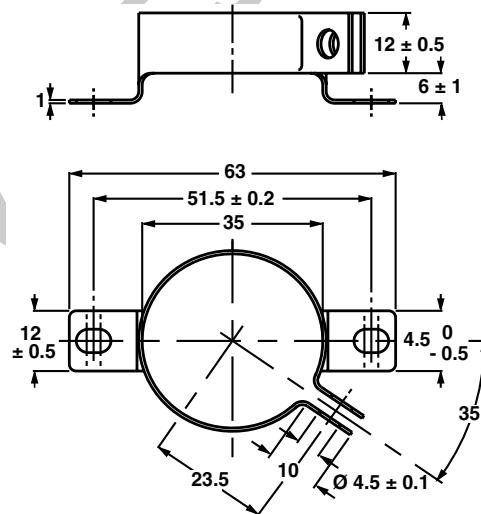


Fig. 2 Dimensional outline of clamp for case $\varnothing D = 35$ mm.

CLAMP DIMENSIONS						
CASE DIAMETER	a	b	c	d	e	ORDERING NUMBER
25	41.5 ± 0.2	25	35	18.5	56	ZUB5001D25000X
30	46.5 ± 0.2	30	40	21	61	ZUB5002D30000X
35	51.5 ± 0.2	35	-	23.5	63	ZUB5003D35000X
40	56.5 ± 0.2	40	50	26	71	ZUB5004D40000X

NUT AND WASHER FOR BOLT VERSION

When mounting with the bolt, which is an integral part of the case, standard metal M8 nut and washer may be used; the maximum permissible torque is 4 Nm for M8 nut.

If insulated mounting is required, synthetic nut and rubber washer are available; for this nut the maximum permissible torque is 2 Nm (M8).

DIMENSIONS in millimeters

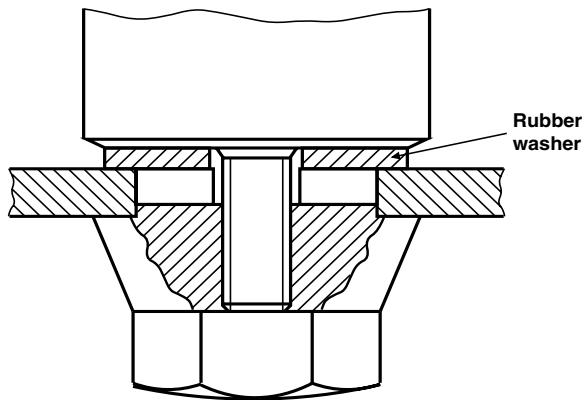


Fig.3 Insulated mounting

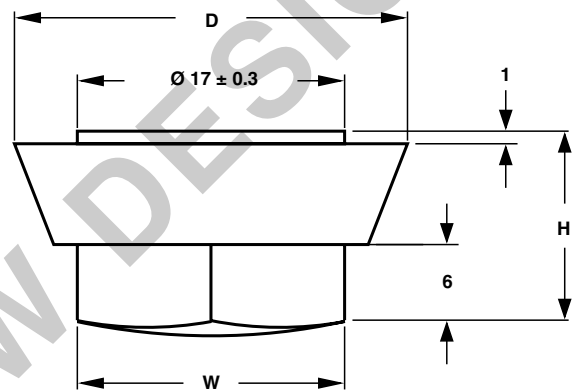


Fig.4 Synthetic cap nut; see Table below for dimensions D, H and W

DIMENSIONS OF SYNTHETIC CAP NUT						
CASE DIAMETER (mm)	THREAD (mm)	D (mm)	H (mm)	W (mm)	MIN. THREADED DEPTH	ORDERING NUMBER
35	M8	25	15	17	11.5	ZUB4501HUM800X

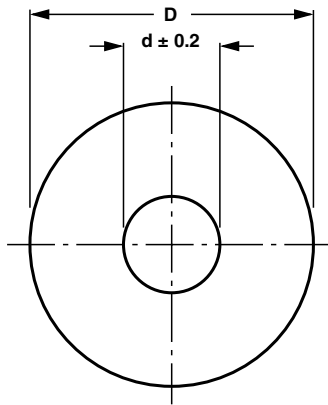


Fig.5 Rubber washer; thickness 2 mm

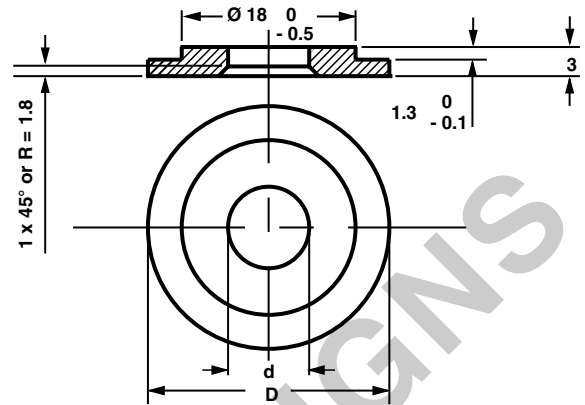


Fig.6 Insulating shoulder disk

RUBBER WASHER ORDERING CODES		
D (mm)	d (mm)	ORDERING NUMBER
34	8.4	ZUB3001N80000X

INSULATING SHOULDER DISK		
D (mm)	d (mm)	ORDERING NUMBER
25	8.4	ZUB3002P80000X